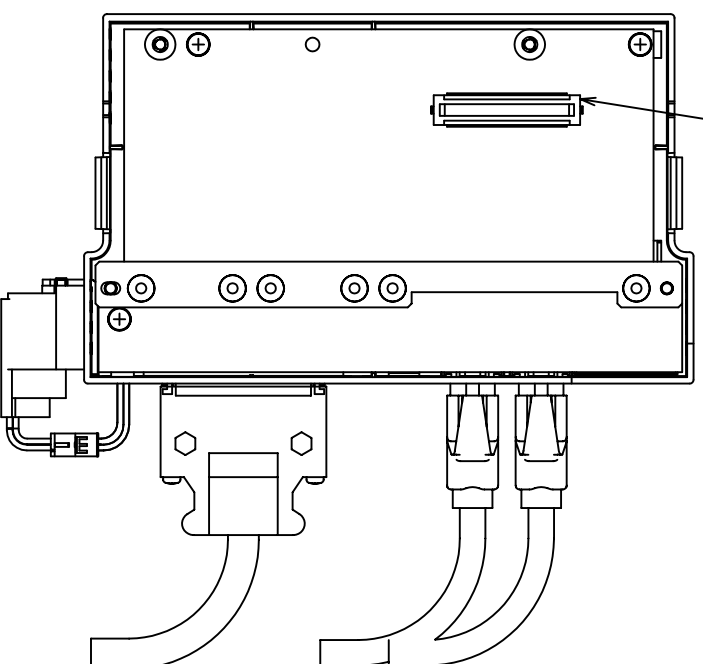
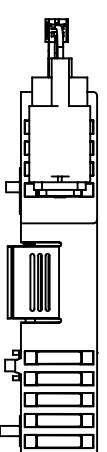
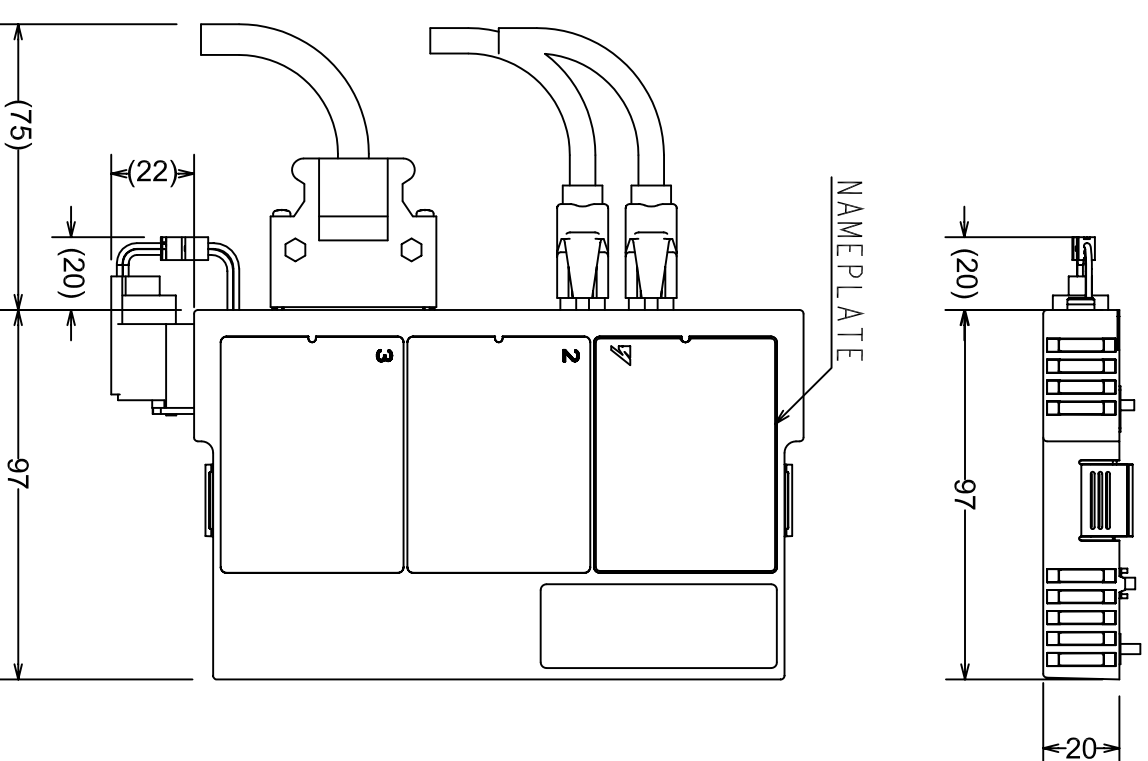
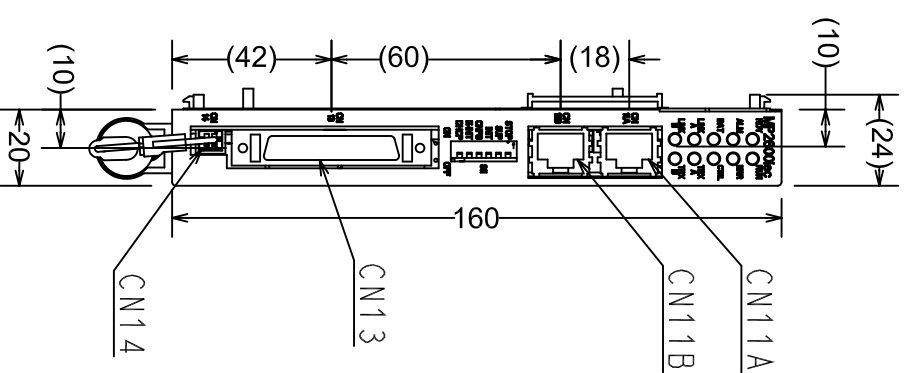


FINISHED VIEW
(Servopack with MP2600iec)



CONNECTOR
(TO the SERVOPACK)



| REV | DESCRIPTION | EC # | DRAWN BY | DATE |
|-----|-----------------|--------------|----------|----------|
| - | - | - | - | - |
| - | - | - | - | - |
| - | - | - | - | - |
| - | - | - | - | - |
| 0 | INITIAL RELEASE | EAR 2010CB81 | S.KOLZOW | 07-28-10 |

| | |
|-------------|----------------------------|
| MATERIAL: | UNLESS OTHERWISE SPECIFIED |
| SPEC: | N/A |
| FINISH: | |
| TOLERANCES: | |
| REF DIM(S): | 900-075-475 <1> |
| UNITS: | mm |
| SCALE: | 1 : 2 |

| | | | | |
|---|--------------------|------------|-------|---------|
| | DRAWN: | S. KOLZOW | DATE: | 7-27-10 |
| | CHECKED: | C. KINTNER | DATE: | 8-12-10 |
| THIS DOCUMENT AND INFORMATION CONTAINED IN IT ARE CONFIDENTIAL, AND CANNOT BE COPIED OR DISCLOSED IN WHOLE OR IN PART WITHOUT THE EXPRESS WRITTEN CONSENT OF YASKAWA AMERICA INC. | APPROVED: | D. LEE | DATE: | 8-12-10 |
| | ORIGINAL DESIGNER: | M. MORAN | DATE: | 8-17-10 |

| | |
|------------|------------------------------|
| TITLE: | Outline Drawing of MP2600iec |
| ITEM #: | SGDV-OCC02A |
| SIZE: | B |
| REVISION: | 0 |
| PAGE: | 1 of 1 |
| DRAWING #: | UDE000303 |